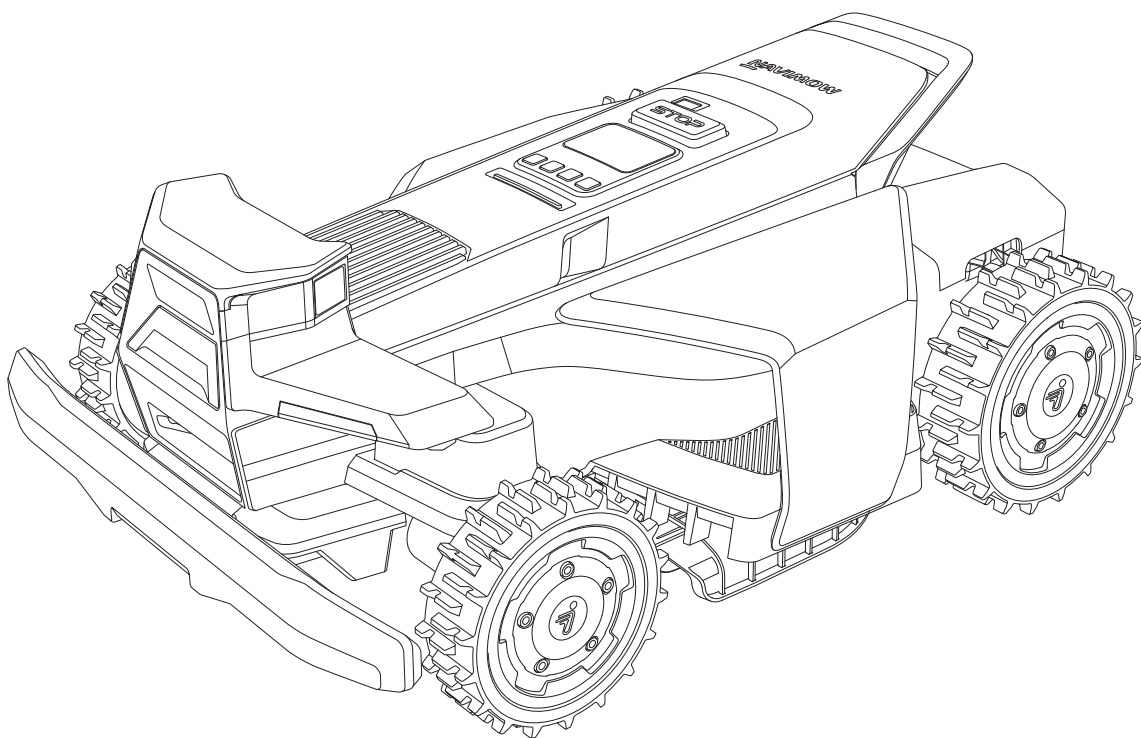


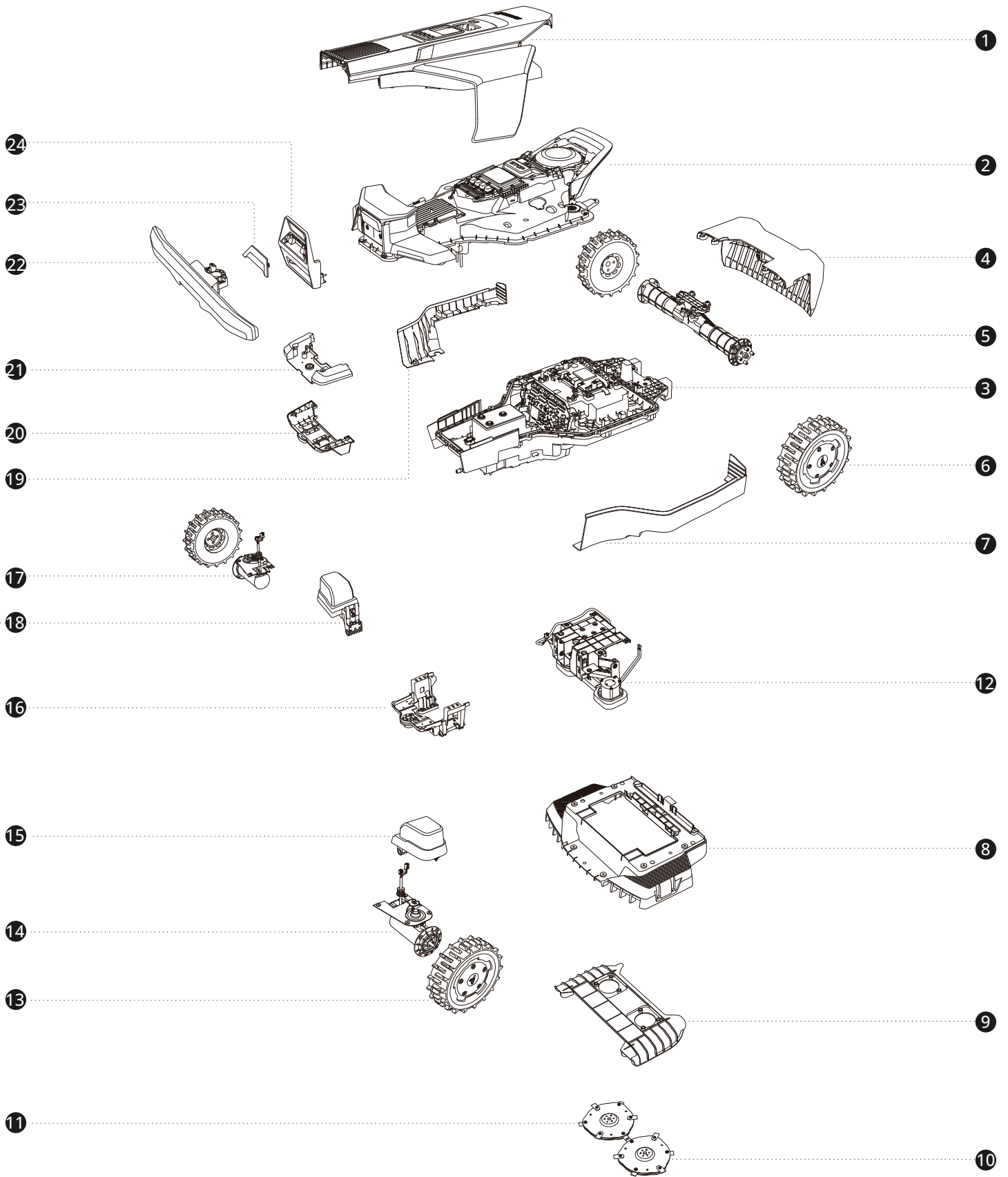
NAVIMOW

Spare Parts

Segway Navimow
X4 Series



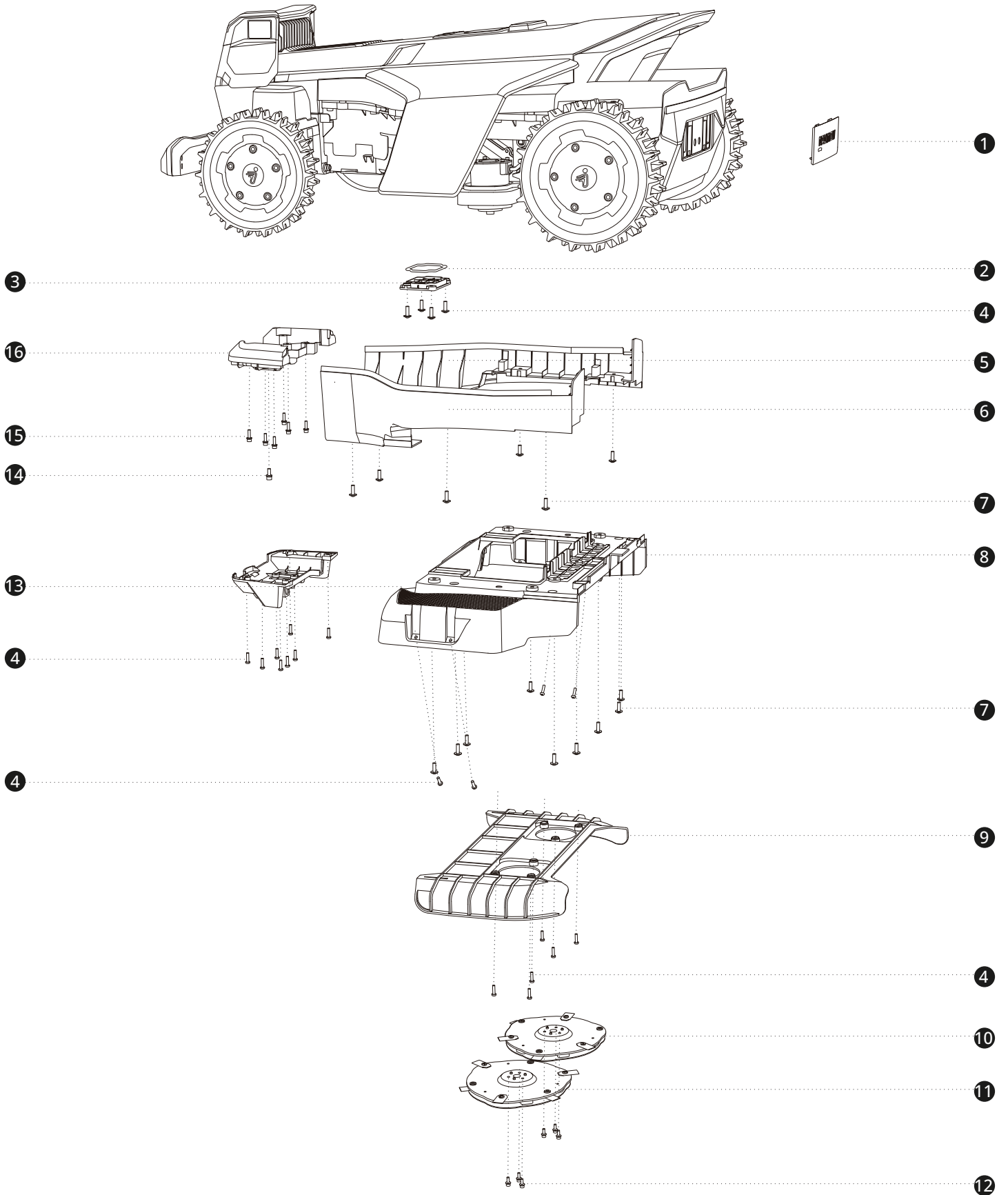
Overall View



Overall View

No.	Description	Quantity	Notes
①	Upper Exterior Decorative Cover, Assembly	1	
②	Upper Housing, Module	1	
③	Assembly, Chassis	1	
④	Rear Decorative Cover, Assembly	1	
⑤	Rear Axle Assembly	1	
⑥	Rear Wheel	2	
⑦	Left-side Outer Housing	1	
⑧	Waterproof Housing	1	
⑨	Blade Disc Guard	1	
⑩	Left Blade Disc Assembly	1	
⑪	Right Blade Disc Assembly	1	
⑫	Mowing Components Assembly	1	
⑬	Front Wheel	2	
⑭	Left Wheel Motor	1	
⑮	Left Steering Motor	1	
⑯	Front Axle Mounting Bracket	1	
⑰	Right Wheel Motor	1	
⑱	Right Steering Motor	1	
⑲	Right-side Outer Housing	1	
⑳	Front Axle Cover	1	
㉑	Bumper Decorative Cover	1	
㉒	Bumper, Assembly	1	
㉓	Charging Port Decorative Cover	1	
㉔	Charging Port Decorative Cover	1	

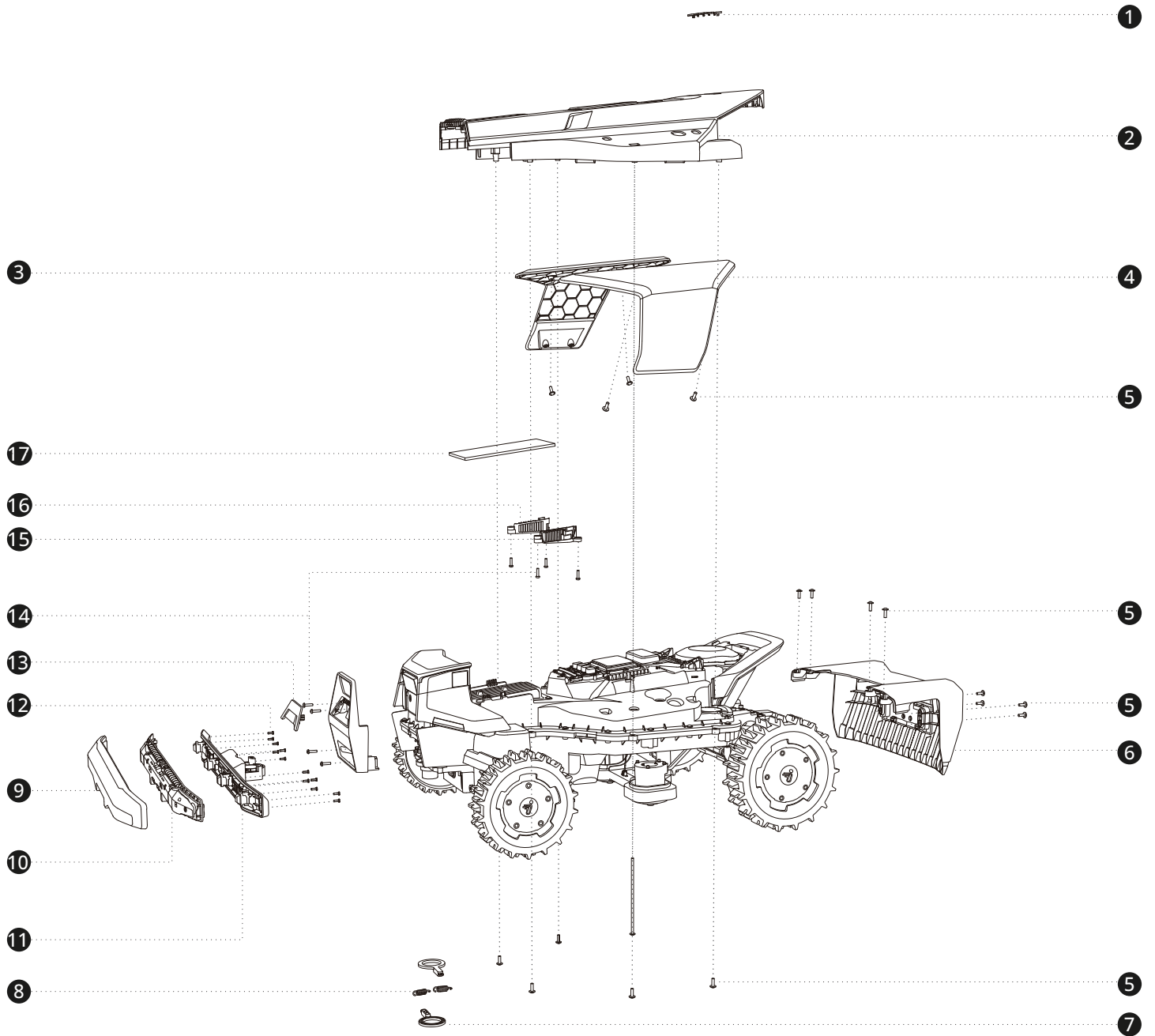
Lower Decorative Cover



Lower Decorative Cover

No.	PN	Description	Quantity	Notes
①	AB.12.06.00.0011	Rear Shell Cover	1	
②	AB.12.06.00.0099	Upper Housing & Chassis Connection Cable Cover O-Ring	1	
③	AB.12.06.00.0098	Upper Housing & Chassis Connection Cable Cover	1	
④	AB.12.02.00.0154	Fastener, Self Tapping, K40H16	22	
⑤	AB.12.06.00.0111	Right-side Outer Housing	1	
⑥	AB.12.06.00.0112	Left-side Outer Housing	1	
⑦	AB.12.02.00.0153	Fastener, Self Tapping, K50H16	15	
⑧	AB.12.06.00.0113	Waterproof Housing	1	
⑨	AB.12.06.00.0104	Blade Disc Guard	1	
⑩	AB.12.06.00.0160	Left Blade Disc Assembly	1	
⑪	AB.12.06.00.0161	Right Blade Disc Assembly	1	
⑫	AB.12.02.00.0178	Fastener, SHCS, M4x12	6	
⑬	AB.12.06.00.0106	Front Axle Cover	1	
⑭	AB.12.06.00.0247	Hex Socket Head Cap Screw with Spring Washer and Flat Washer	1	
⑮	AB.12.06.00.0119	Hex Socket Head Cap Screw with Spring Washer and Flat Washer Assembly - M4x16	6	
⑯	AB.12.06.00.0105	Bumper Decorative Cover	1	

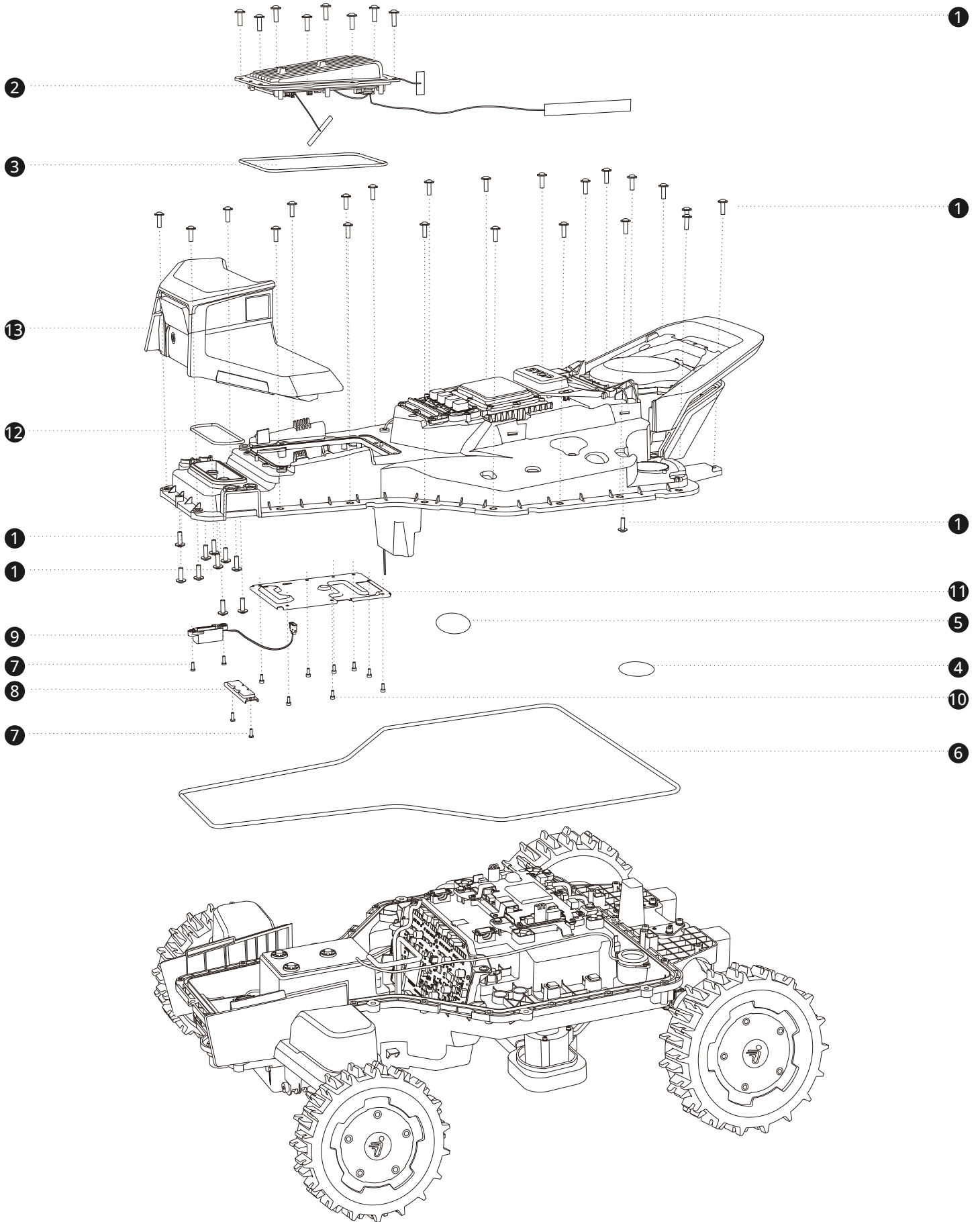
Upper Decorative Cover & Bumper



Upper Decorative Cover & Bumper

No.	PN	Description	Quantity	Notes
①	AB.12.06.00.0006	Navimow LOGO	1	
②	AB.12.06.00.0005	Upper Exterior Decorative Cover	1	X430NA/X450NA
③	AB.12.06.00.0002	Right Wing Decorative Cover	1	X430NA/X450NA
④	AB.12.06.00.0001	Left Wing Decorative Cover	1	X430NA/X450NA
⑤	AB.12.02.00.0153	Fastener, Self Tapping, K50H16	14	
⑥	AB.12.06.00.0010	Rear Decorative Cover Assembly - X430	1	Only for X430
	AB.12.06.00.0132	Rear Decorative Cover Assembly - X450	1	Only for X450
	AB.12.06.00.0201	Rear Decorative Cover Assembly - X420	1	Only for X420
⑦	AB.12.06.00.0071	Front Axle Pull-back Control Arm	2	
⑧	AB.12.06.00.0070	Front Axle Spring	2	
⑨	AB.12.06.00.0103	Bumper Rubber	1	
⑩	AB.12.06.00.0101	Bumper Inner Frame Assembly	1	
⑪	AB.12.06.00.0249	Bumper Back Cover with Basic Switch-NA&ANZ	1	
⑫	AB.12.02.00.0165	Fastener, Self Tapping, ST2.9x9.5	12	
⑬	AB.12.06.00.0009	Charging Port Decorative Cover	1	
⑭	AB.12.02.00.0154	Fastener, Self Tapping, K40H16	8	
⑮	AB.12.06.00.0003	Left Vent Decorative Cover	1	
⑯	AB.12.06.00.0004	Right Vent Decorative Cover	1	
⑰	AB.12.06.00.0007	Decorative Cover Thermal Pad	1	

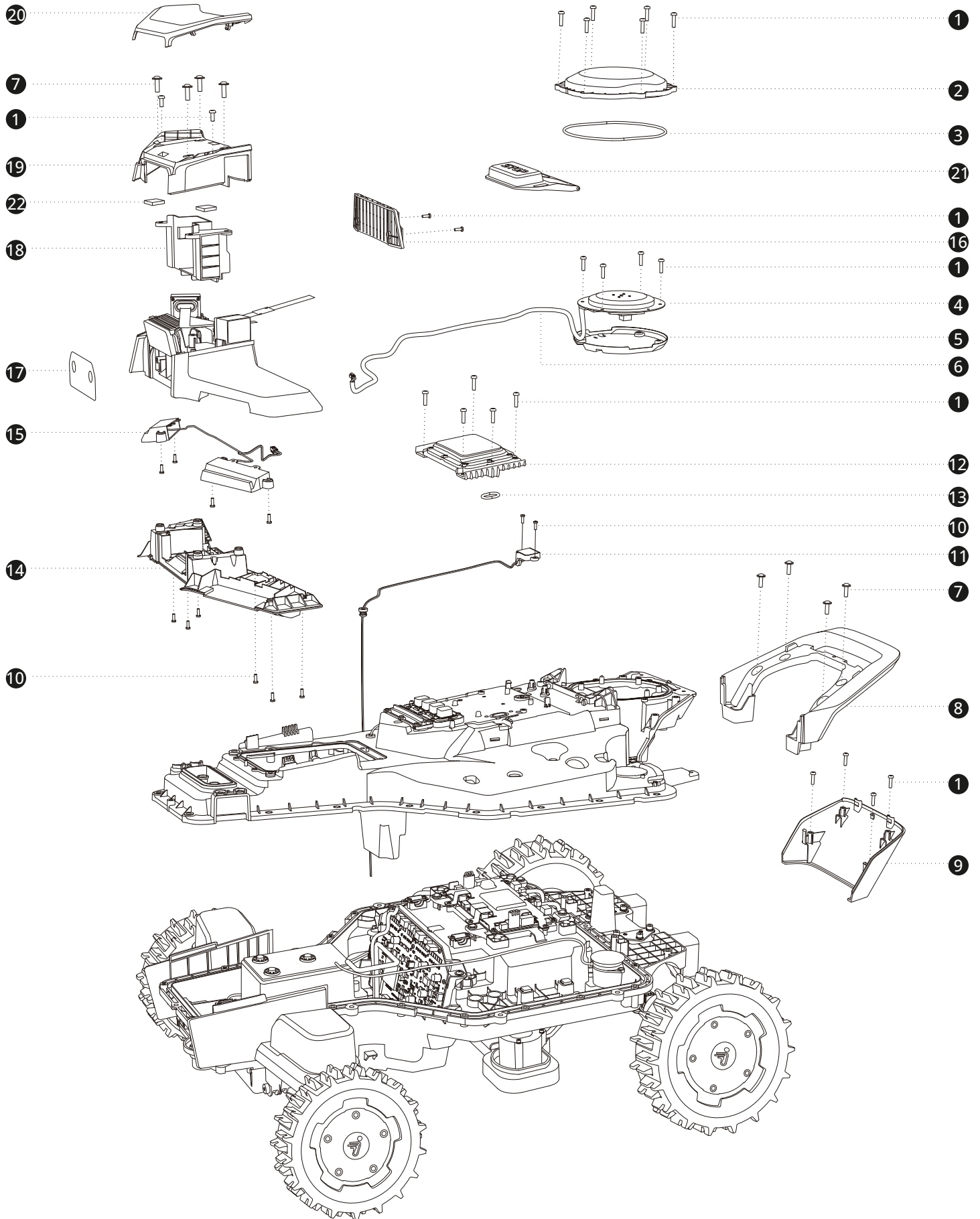
Upper Housing Assembly - 01



Upper Housing Assembly - 01

No.	PN	Description	Quantity	Notes
①	AB.12.02.00.0153	Fastener, Self Tapping, K50H16	39	
②	AB.12.06.00.0152	Upper housing Main Control Board - NA	1	
③	AB.12.06.00.0047	Upper housing Main Control Board O-ring	1	
④	AB.12.06.00.0100	Speaker Acoustic Mesh	1	
⑤	AB.12.03.00.0063	Film, Waterproof/Breathable; Lawn Mower X Series	1	
⑥	AB.12.06.00.0094	Chassis O-ring	1	
⑦	AB.12.02.00.0165	Fastener, Self Tapping, ST2.9x9.5	4	
⑧	AB.12.06.00.0038	Camera FPC Wire Clamp Plate	1	
⑨	AB.12.05.00.0049	Find My Battery	1	
⑩	AB.12.02.00.0155	Fastener, SHCS, M3x8	8	
⑪	AB.12.06.00.0025	Shielding Cover, Upper Housing Main Control Board	1	
⑫	AB.12.06.00.0047	Upper housing Main Control Board O-ring	1	
⑬	AB.12.06.00.0229	Camera Unit	1	X430NA/X450NA/

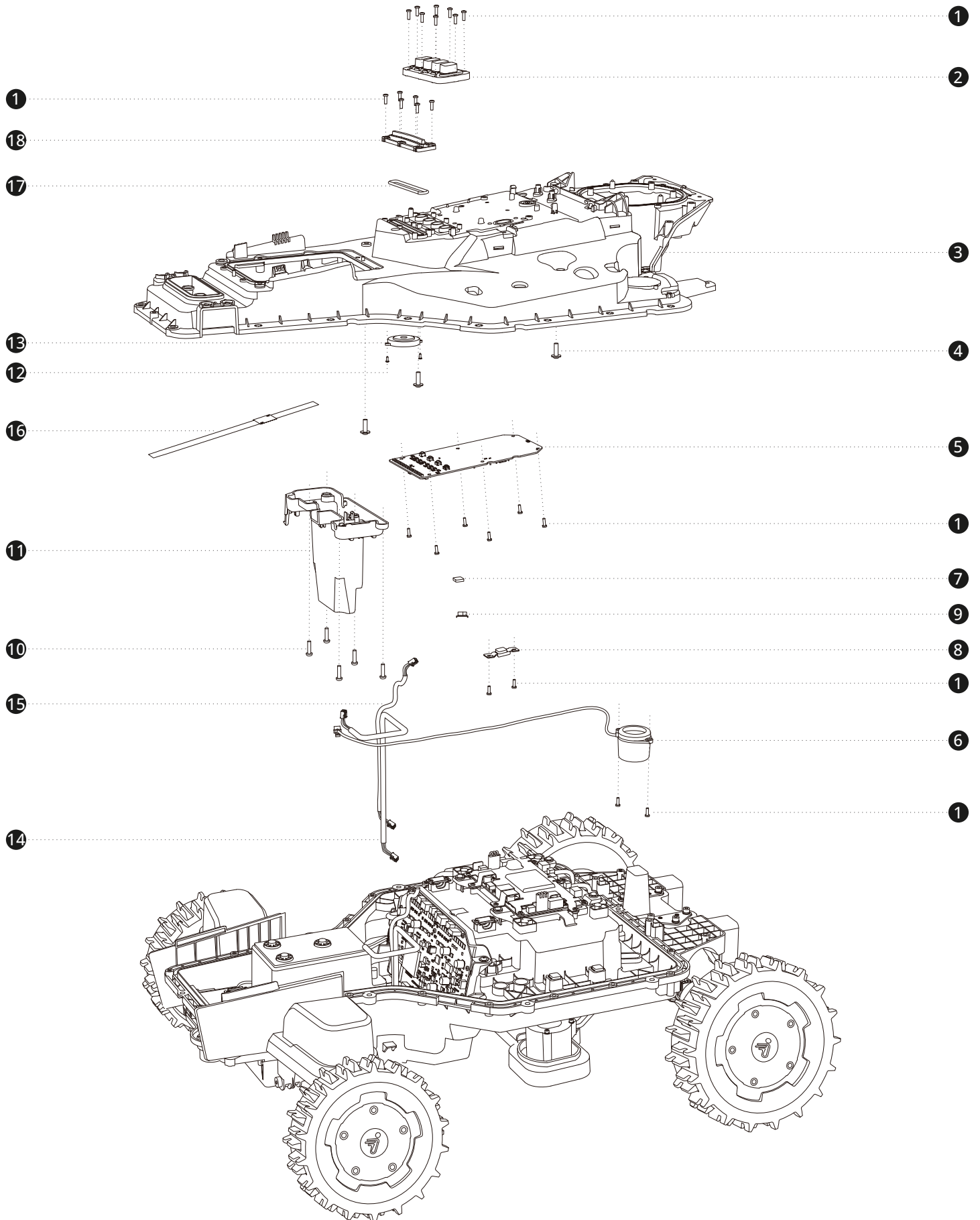
Upper Housing Assembly - 02



Upper Housing Assembly - 02

No.	PN	Description	Quantity	Notes
①	AB.12.02.00.0154	Fastener, Self Tapping, K40H16	23	
②	AB.12.06.00.0042	GNSS Waterproof Cover	1	
③	AB.12.06.00.0044	RTK O-ring	1	
④	AB.12.06.00.0048	GNSS-PCB	1	
⑤	AB.12.03.00.0044	Shielding Cover, GNSS-PCB	1	
⑥	AB.12.06.00.0037	GNSS Harness	1	
⑦	AB.12.02.00.0153	Fastener, Self Tapping, K50H16	8	
⑧	AB.12.06.00.0041	Upper Housing Handle	1	
⑨	AB.12.06.00.0040	Upper Housing Rear Cover	1	X430NA/X450NA
⑩	AB.12.02.00.0165	Fastener, Self Tapping, ST2.9x9.5	16	
⑪	AB.12.06.00.0013	Rain Sensor	1	
⑫	AB.12.06.00.0014	Display Screen	1	
⑬	AB.12.06.00.0045	Display Screen O-ring	1	
⑭	AB.12.06.00.0034	Camera Bottom Housing	1	
⑮	AB.12.06.00.0030	Upper Hosuing Front Light	1	
⑯	AB.12.06.00.0035	Camera Back Housing	1	X430NA/X450NA/
⑰	AB.12.06.00.0036	Dust Filter	1	
⑱	AB.12.06.00.0029	Fan Assembly Kit	1	
⑲	AB.12.06.00.0032	Camera Upper Housing	1	X430NA/X450NA
⑳	AB.12.06.00.0033	Camera Upper Housing Decorative Cover	1	X430NA/X450NA/
㉑	AB.12.06.00.0017	STOP Button Assembly	1	
㉒	AB.12.06.00.0253	Camera Upper Housing Foam	2	

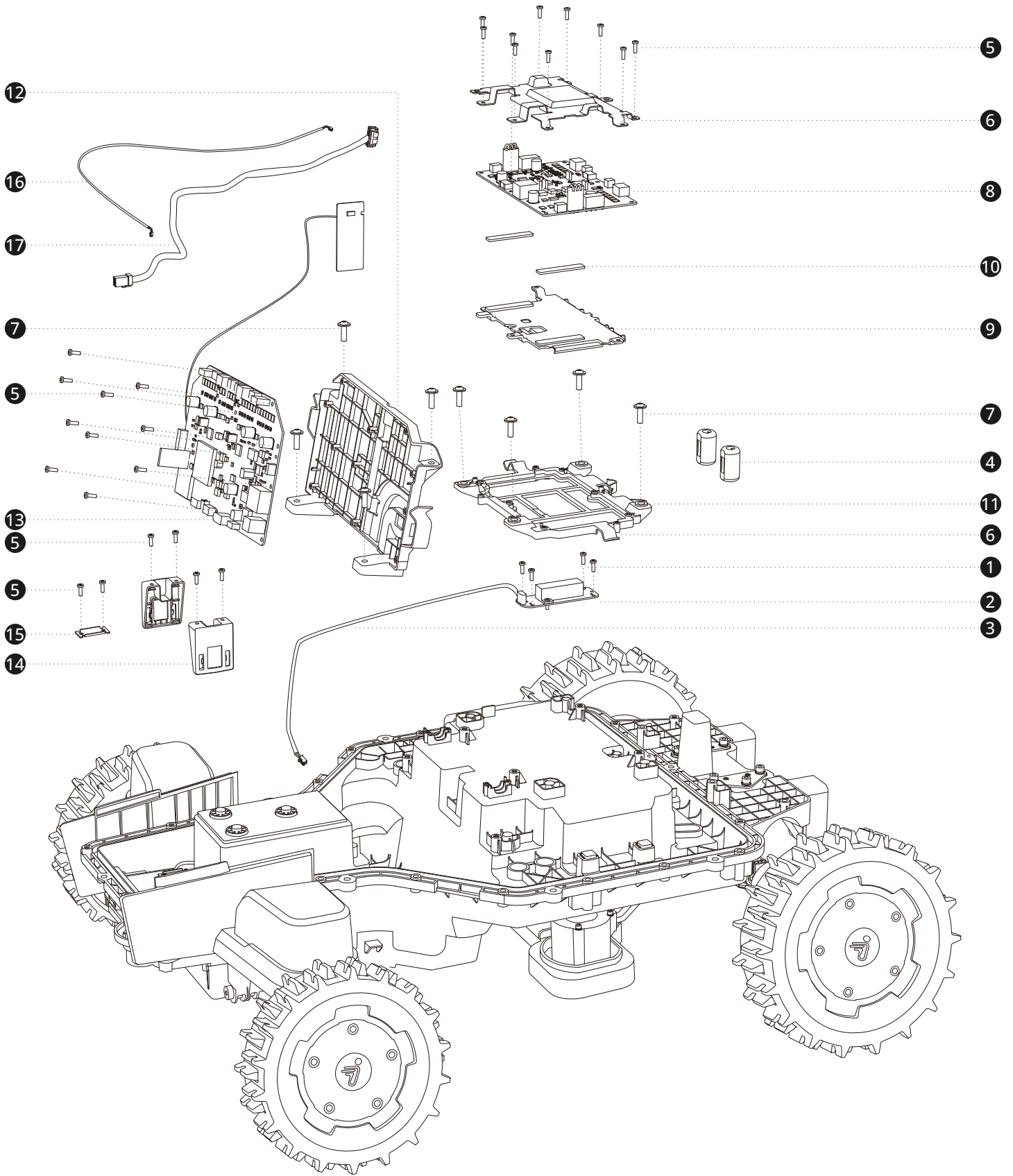
Upper Housing Assembly - 03



Upper Housing Assembly - 03

No.	PN	Description	Quantity	Notes
①	AB.12.02.00.0165	Fastener, Self Tapping, ST2.9x9.5	26	
②	AB.12.06.00.0015	Button	1	
③	AB.12.06.00.0039	Upper Housing	1	
④	AB.12.02.00.0153	Fastener, Self Tapping, K50H16	3	
⑤	AB.12.06.00.0012	Keypad PCBA	1	
⑥	AB.12.06.00.0114	Speaker Module	1	
⑦	AB.12.06.00.0091	Antenna Clamping Foam	1	
⑧	AB.12.06.00.0024	Displat Screen FPC Wire Clamp Plate	1	
⑨	AB.12.06.00.0245	Keypad FPC Clamp Plate	1	
⑩	AB.12.02.00.0154	Fastener, Self Tapping, K40H16	5	
⑪	AB.12.06.00.0018	Upper Housing Wire Harness Bracket	1	
⑫	AB.12.06.00.0246	Cross Pan Head Tapping Screw ST2.2x9.5	2	
⑬	AB.12.06.00.0162	Piezoelectric Ceramics	1	
⑭	AB.12.06.00.0021	Host Computer Communication Harness	1	
⑮	AB.12.06.00.0020	Button Communication Harness	1	
⑯	AB.12.06.00.0195	Apato CPU-Display FPC Harness	1	
⑰	AB.12.06.00.0043	Ambient Lighting O-Ring	1	
⑱	AB.12.06.00.0016	Upper Housing Ambient Light	1	

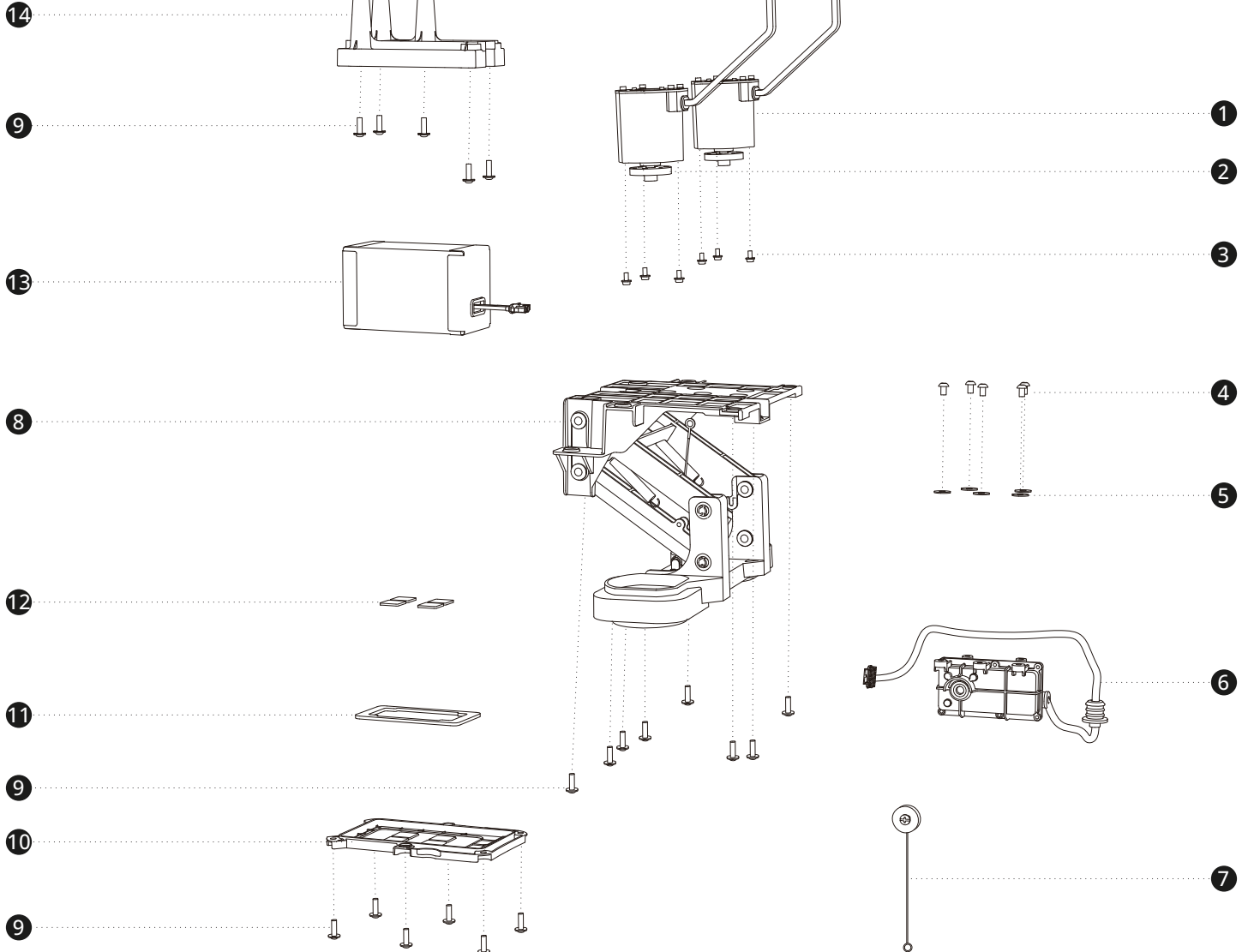
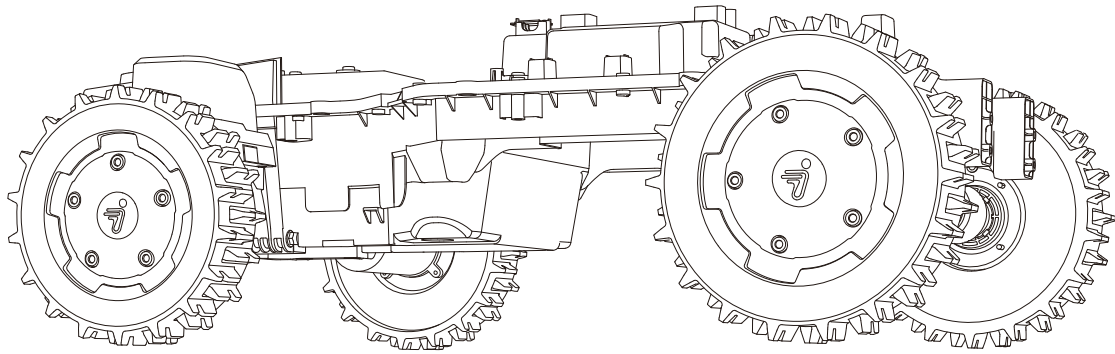
Lower Housing Assembly



Lower Housing Assembly

No.	PN	Description	Quantity	Notes
①	AB.12.02.00.0154	Fastener, Self Tapping, K40H16	4	
②	AB.12.06.00.0075	OV Discharge Board PCB	1	
③	AB.12.06.00.0076	OV Discharge Board PCB Cable	1	
④	AB.12.06.00.0171	Motor Magnetic Ring	1	
⑤	AB.12.02.00.0165	Fastener, Self Tapping, ST2.9x9.5	27	
⑥	AB.12.06.00.0079	Rear Drive PCB Cover	1	
⑦	AB.12.02.00.0153	Fastener, Self Tapping, K50H16	8	
⑧	AB.12.06.00.0078	Rear Drive PCB	1	
⑨	AB.12.06.00.0192	Rear Drive PCB Radiator	1	
⑩	AB.12.06.00.0193	Rear Drive PCB Thermal Pad	2	
⑪	AB.12.06.00.0077	Rear Drive PCB Bracket	1	
⑫	AB.12.06.00.0080	Front Drive PCB Bracket	1	
⑬	AB.12.06.00.0081	Front Drive PCB	1	
⑭	AB.12.06.00.0072	Hall-PCB Assembly	2	
⑮	AB.12.06.00.0084	Lower Housing Cable Clamp Plate	1	
⑯	AB.12.06.00.0083	Front to Rear Drive PCB Cable	1	
⑰	AB.12.06.00.0082	Battery to Front Drive PCB Cable	1	

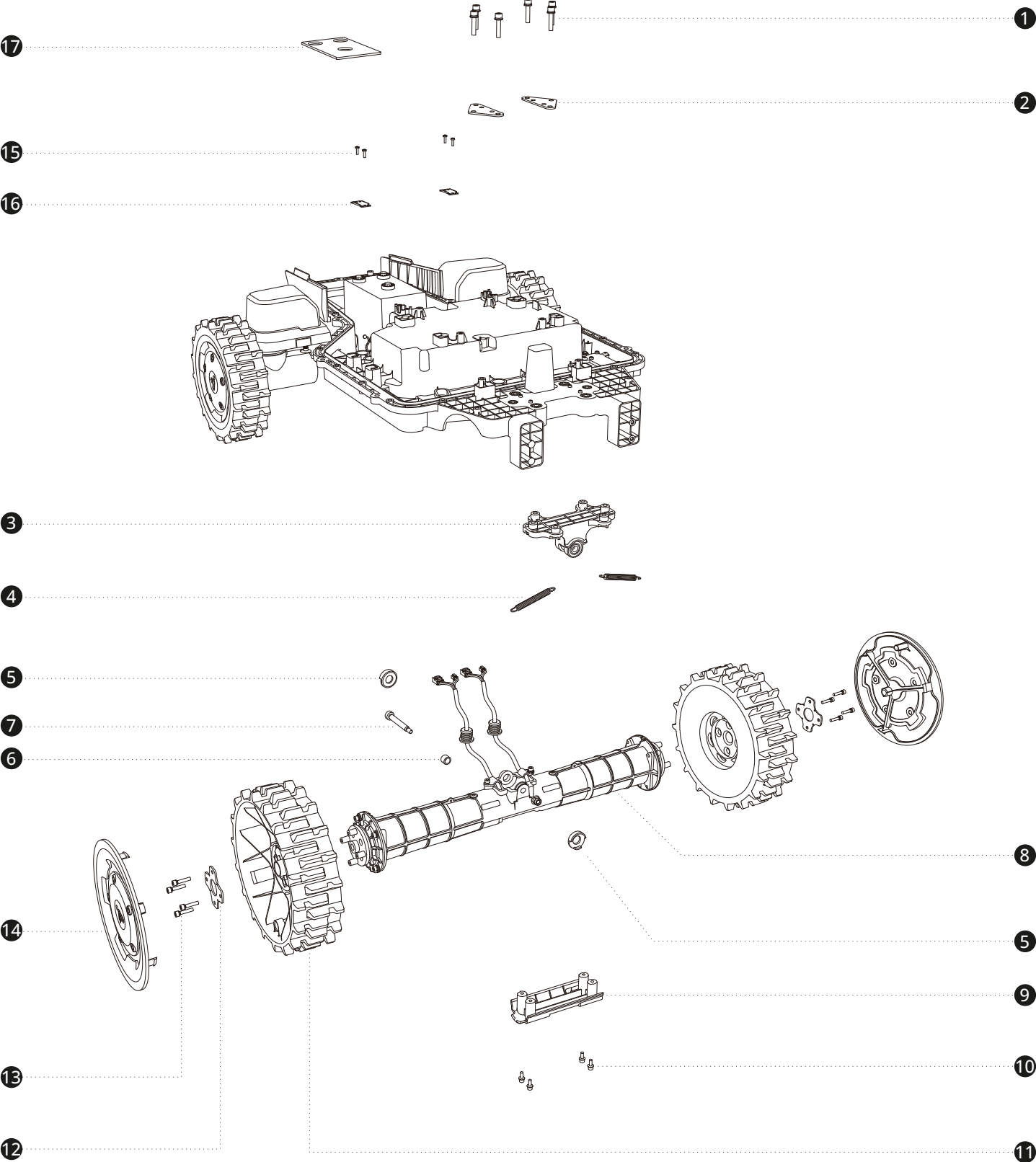
Battery & Mowing Assembly



Battery & Mowing Assembly

No.	PN	Description	Quantity	Notes
①	AB.12.06.00.0159	Right Mowing Motor	1	
②	AB.12.06.00.0158	Left Mowing Motor	1	
③	AB.12.06.00.0175	Assembly of Hexagon Socket Thin Head Cap Screw and Flat Washer - M4*8	6	
④	AB.12.06.00.0174	Hexagon Socket Button Head Screw - M5*8	5	
⑤	AB.12.06.00.0127	Heavy Washer, Grade C	5	
⑥	AB.12.06.00.0095	Height Adjustment Motor	1	
⑦	AB.12.06.00.0096	Height Adjustment Motor String	1	
⑧	AB.12.06.00.0097	Height Adjustment Frame	1	
⑨	AB.12.02.00.0153	Fastener, Self Tapping, K50H16	19	
⑩	AB.12.06.00.0085	Battery Cover	1	
⑪	AB.12.06.00.0157	Battery Foam	1	
⑫	AB.12.06.00.0156	Thermal Pad on Battery Cover	4	
⑬	AB.12.03.00.0002	Battery Pack, 10Ah	1	Only for X420
	AB.12.03.00.0126	Battery Pack, 12.8Ah; Lawn mower X series	1	X430 & X450
⑭	AB.12.06.00.0089	Battery Bracket	1	X430NA/X450NA

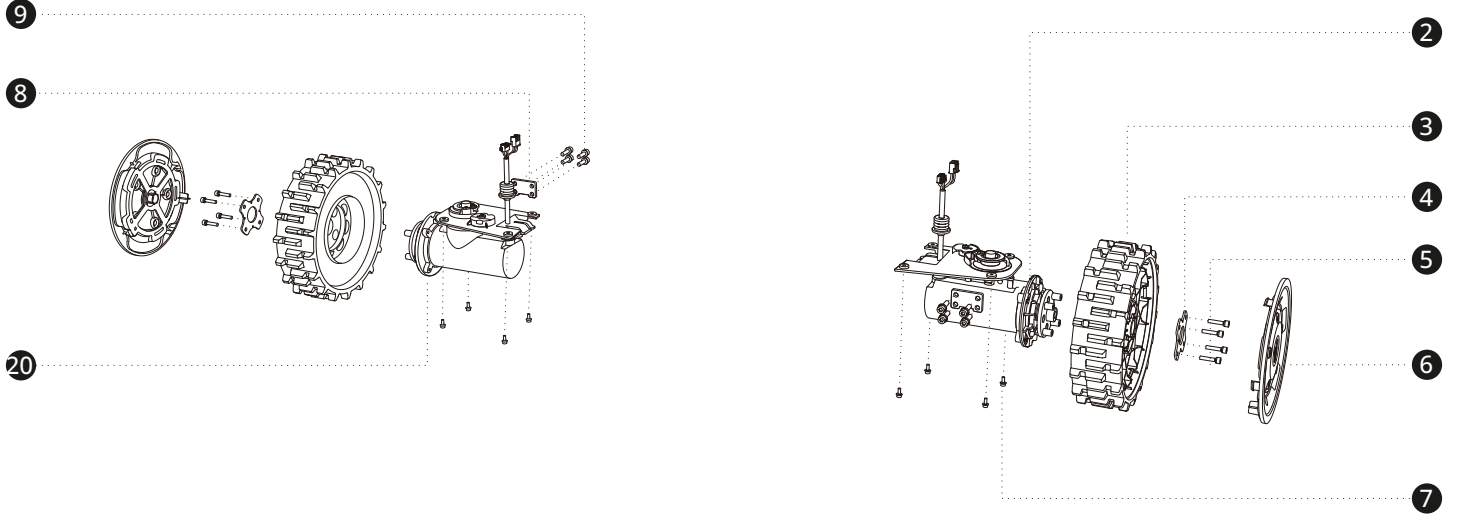
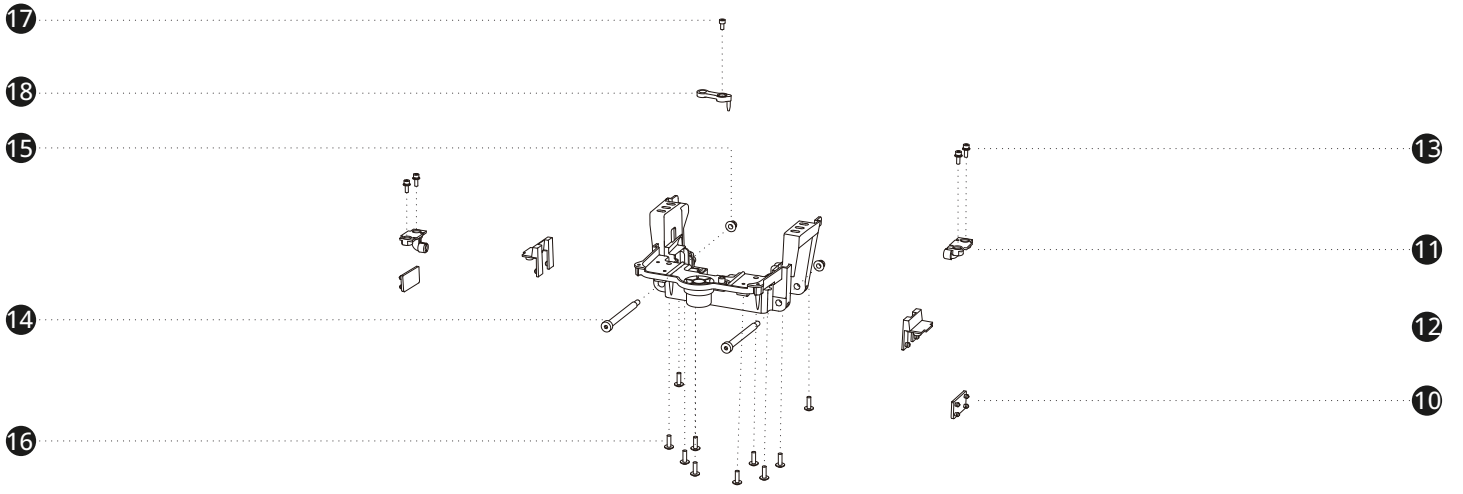
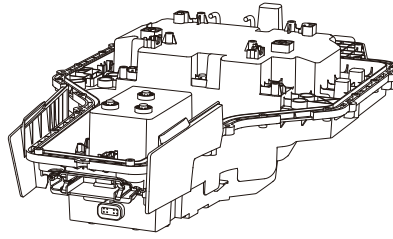
Rear Axle Assembly



Rear Axle Assembly

No.	PN	Description	Quantity	Notes
①	AB.12.06.00.0130	Hex Socket Head Cap Screw with Spring Washer and Flat Washer Assembly - M5x25	6	
②	AB.12.06.00.0092	Rear Axle Clamping Plate	2	
③	AB.12.06.00.0165	Rear Axle Mounting Bracket	1	
④	AB.12.06.00.0058	Rear Axle Spring	2	
⑤	AB.12.06.00.0057	Rear Axle Dust Cover	2	
⑥	AB.12.06.00.0053	Mounting Bracket Screw Bush	1	
⑦	AB.12.06.00.0121	Hex Socket Shoulder Screw - 8x50-M6x11	1	
⑧	AB.12.06.00.0252	Rear Axle Assembly	1	Involve rear motor
⑨	AB.12.06.00.0166	Rear Axle Cover	1	
⑩	AB.12.02.00.0178	Fastener, SHCS, M4x12	4	
⑪	AB.12.06.00.0050	Rear Wheel	2	
⑫	AB.12.06.00.0051	Wheel Spacer	2	
⑬	AB.12.06.00.0118	Hex Socket Head Cap Screw and Spring Washer Assembly M4x20	8	
⑭	AB.12.06.00.0055	Rear Wheel Decorative Cover	2	X430NA/X450NA
⑮	AB.12.02.00.0165	Fastener, Self Tapping, ST2.9x9.5	4	
⑯	AB.12.06.00.0084	Lower Housing Cable Clamp Plate	2	
⑰	AB.12.06.00.0090	Battery Thermal Insulation Foam	1	

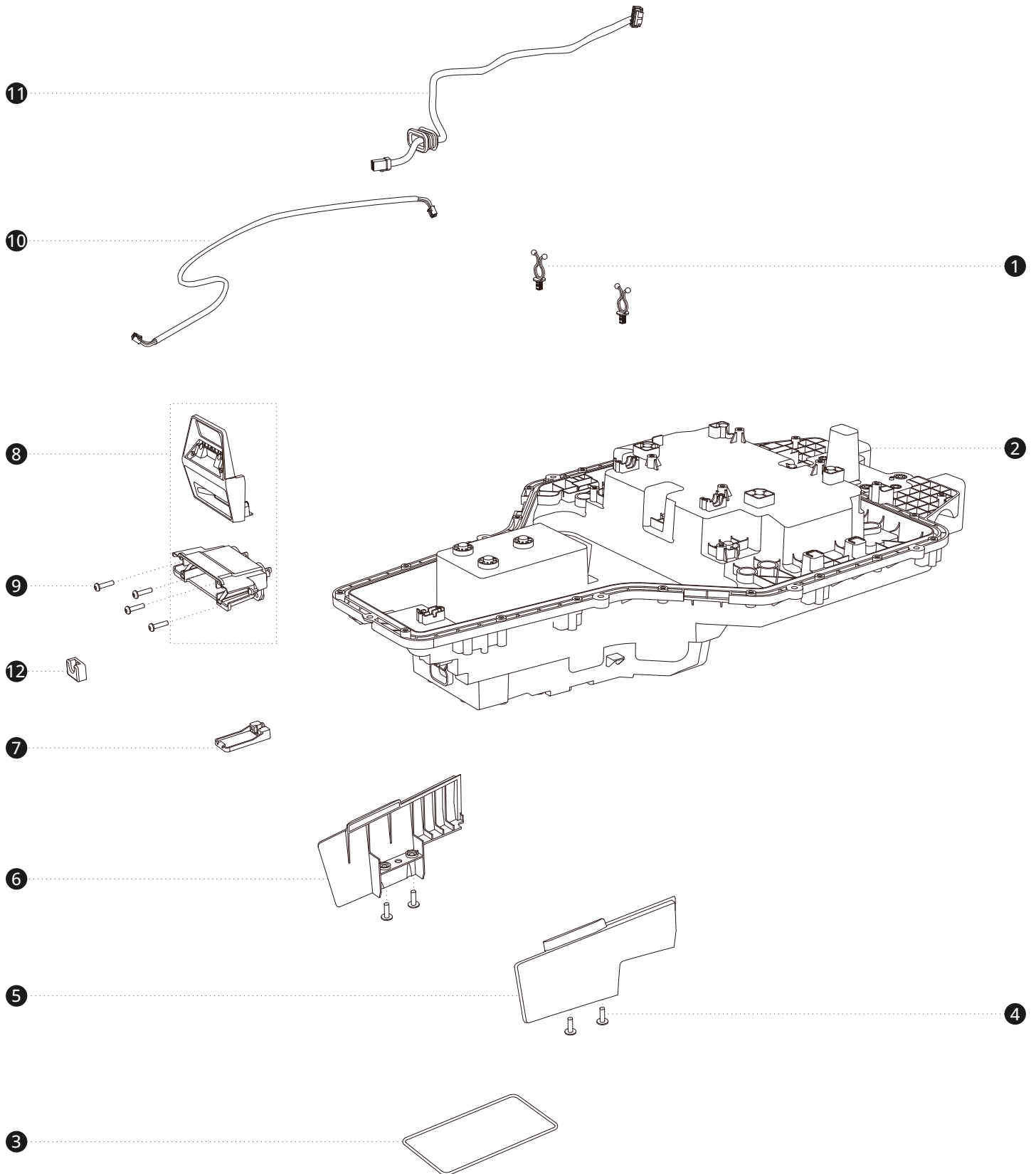
Front Axle Assembly



Front Axle Assembly

No.	PN	Description	Quantity	Notes
①	AB.12.06.00.0060	Left Steering Motor	1	
②	AB.12.06.00.0061	Left Wheel Motor	1	
③	AB.12.06.00.0066	Front Wheel	2	
④	AB.12.06.00.0051	Wheel Spacer	2	
⑤	AB.12.06.00.0118	Hex Socket Head Cap Screw and Spring Washer Assembly M4x20	8	
⑥	AB.12.06.00.0067	Front Wheel Decorative Cover	2	X430NA/X450NA
⑦	AB.12.06.00.0123	Hex Socket Head Cap Screw and Flat Washer Assembly - M3x8	8	
⑧	AB.12.06.00.0062	Motor Mounting Flange	2	
⑨	AB.12.06.00.0173	Assembly of Hexagon Socket Head Cap Screw, Spring Washer and Flat Washer - G - M5*20	8	
⑩	AB.12.06.00.0065	Motor Anti-vibration Pad Lateral	2	
⑪	AB.12.06.00.0063	Magnet Mounting Bracket	2	
⑫	AB.12.06.00.0064	Motor Anti-vibration Pad Vertical	2	
⑬	AB.12.02.00.0178	Fastener, SHCS, M4x12	4	
⑭	AB.12.06.00.0125	Hex Socket Shoulder Screw - 8x75-M6x11	2	
⑮	AB.12.06.00.0120	Hex Flange Lock Nut with Non-Metallic Insert, Style 2, Grade A, M6	2	
⑯	AB.12.02.00.0153	Fastener, Self Tapping, K50H16	10	
⑰	AB.12.06.00.0164	Hexagon Socket Head Cap Screw & Washer - N - M4*8	1	
⑱	AB.12.06.00.0163	Bumper Sway Bar Link	1	
⑲	AB.12.06.00.0068	Right Steering Motor	1	
⑳	AB.12.06.00.0069	Right Front Motor	1	

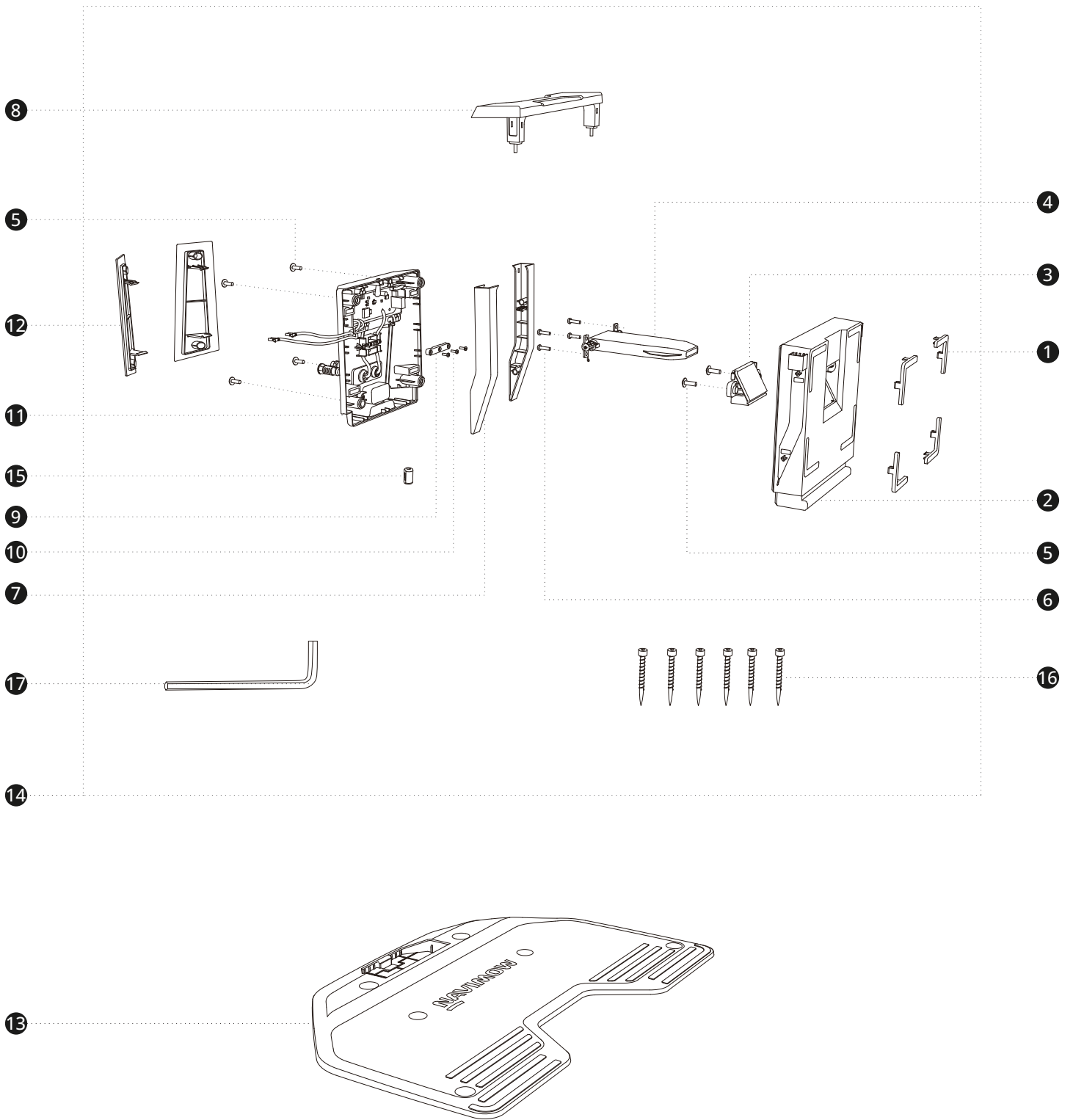
Charging Port Assembly & Charging Port Decorative Panel



Charging Port Assembly & Charging Port Decorative Panel

No.	PN	Description	Quantity	Notes
①	AB.12.02.00.0156	Twist Buckle	2	
②	AB.12.06.00.0145	Chassis Assembly - X430N	1	X430NA
	AB.12.06.00.0149	Chassis Assembly - X450N	1	X450NA
③	AB.12.06.00.0093	Battery O-ring	1	
④	AB.12.02.00.0153	Fastener, Self Tapping, K50H16	4	
⑤	AB.12.06.00.0088	Charging Port Decorative Panel - Left	1	
⑥	AB.12.06.00.0087	Charging Port Decorative Panel - Right	1	
⑦	AB.12.03.00.0022	Sensor-PCB, Bumper, Left/Right; Lawn Mower X Series	1	
⑧	AB.12.06.00.0073	Charging Port	1	
⑨	AB.12.02.00.0154	Fastener, Self Tapping, K40H16	4	
⑩	AB.12.06.00.0191	Charging Port Hall Wire Harness	1	
⑪	AB.12.06.00.0074	Bumper & Sensor-PCB Cable	1	
⑫	AB.12.06.00.0155	Charging Port Anti-Collision Pad	1	

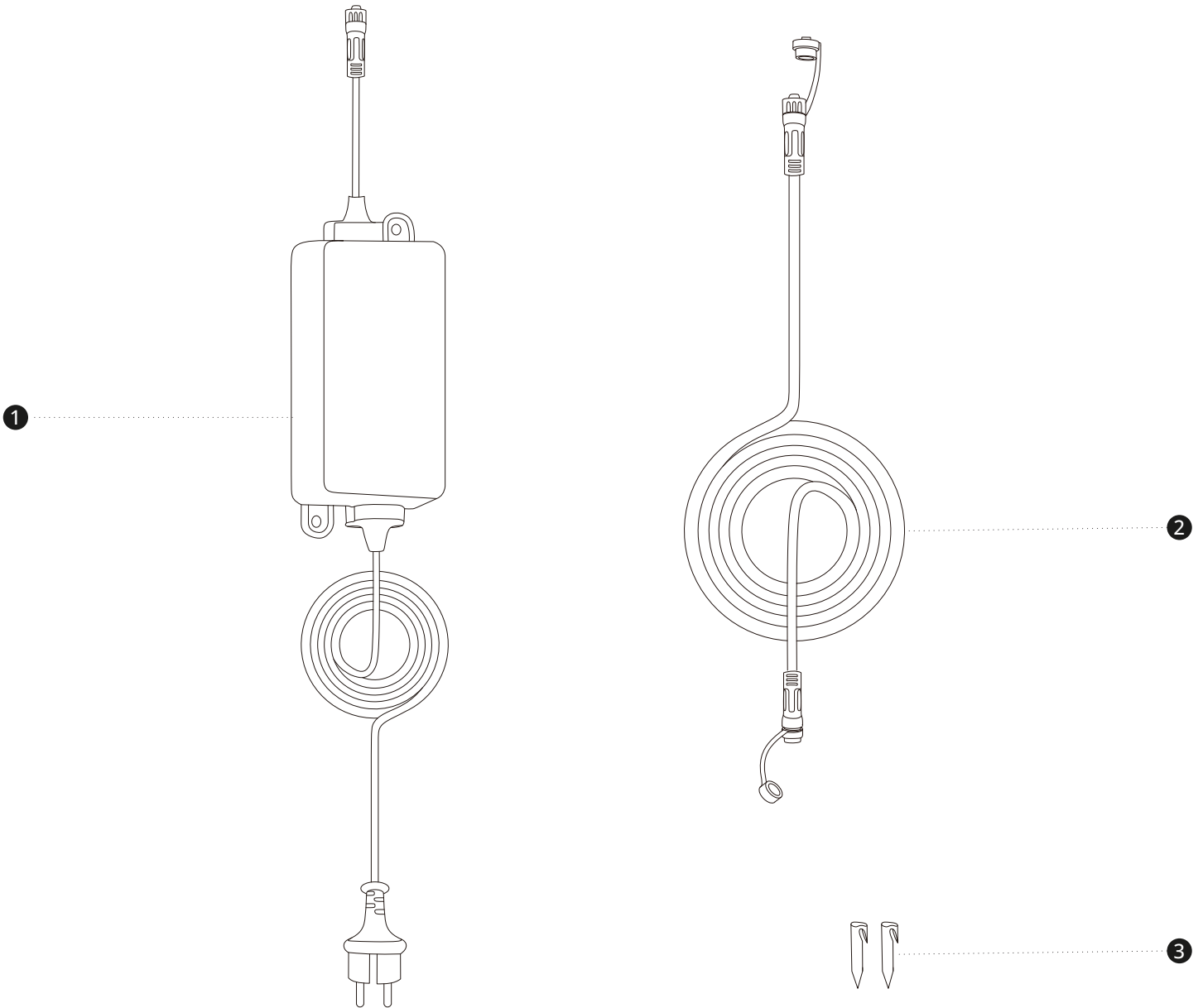
Charging Station



Charging Station

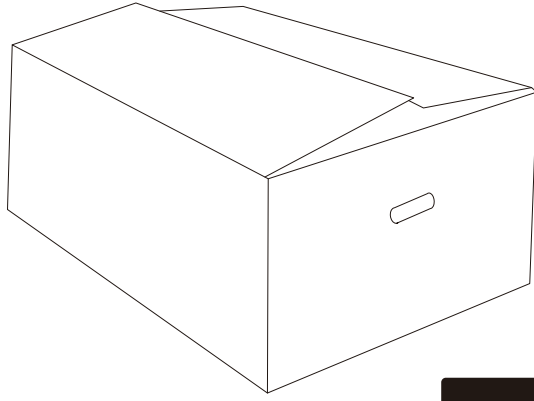
No.	PN	Description	Quantity	Notes
①	AB.12.02.00.0140	Reflective Strip, L-Shaped; Lawn mower i&X series	4	
②	AB.12.06.00.0176	Front Cover of Charging Station	1	
③	AB.12.06.00.0179	Inner Cover, CGS	1	
④	AB.12.06.00.0178	Charging Shaft, CGS, Assembly	1	
⑤	AB.12.02.00.0153	Fastener, Self Tapping, K50H16	6	
⑥	AB.12.02.00.0154	Fastener, Self Tapping, K40H16	4	
⑦	AB.12.06.00.0177	Right & Left Handle, CGS	1	
⑧	AB.12.03.00.0078	Handle, CGS, Assembly; Lawn Mower X Series	1	
⑨	AB.12.06.00.0182	Cable Clamp, CGS	1	
⑩	AB.12.02.00.0165	Fastener, Self Tapping, ST2.9x9.5	3	
⑪	AB.12.06.00.0181	Back Cover with PCB Assembly NA, CGS	1	
⑫	AB.12.03.00.0081	Cover, CGS, Decorative; Lawn Mower X Series	1	
⑬	AB.12.06.00.0107	Charging Station Tray	1	
⑭	AB.12.06.00.0153	CGS Main Body NA	1	
⑮	AB.12.06.00.0172	Charging Station Magnetic Ring	2	
⑯	AB.12.02.00.0179	Ground Nail, Charging Station	6	
⑰	AB.12.02.00.0183	Socket Key, Hexagon, 6mm	1	

Power Supply



No.	PN	Description	Quantity	Notes
①	AB.12.03.00.0011	Power Adaptor (NA); Lawn Mower X Series	1	
②	AB.12.03.00.0008	Extension Cable, Power Adaptor; Lawn Mower X Series	1	
③	AB.12.06.00.0248	Cable Peg	2	

Packing



1

Warranty Void If Broken

Garantie annulée si ouvert/retiré

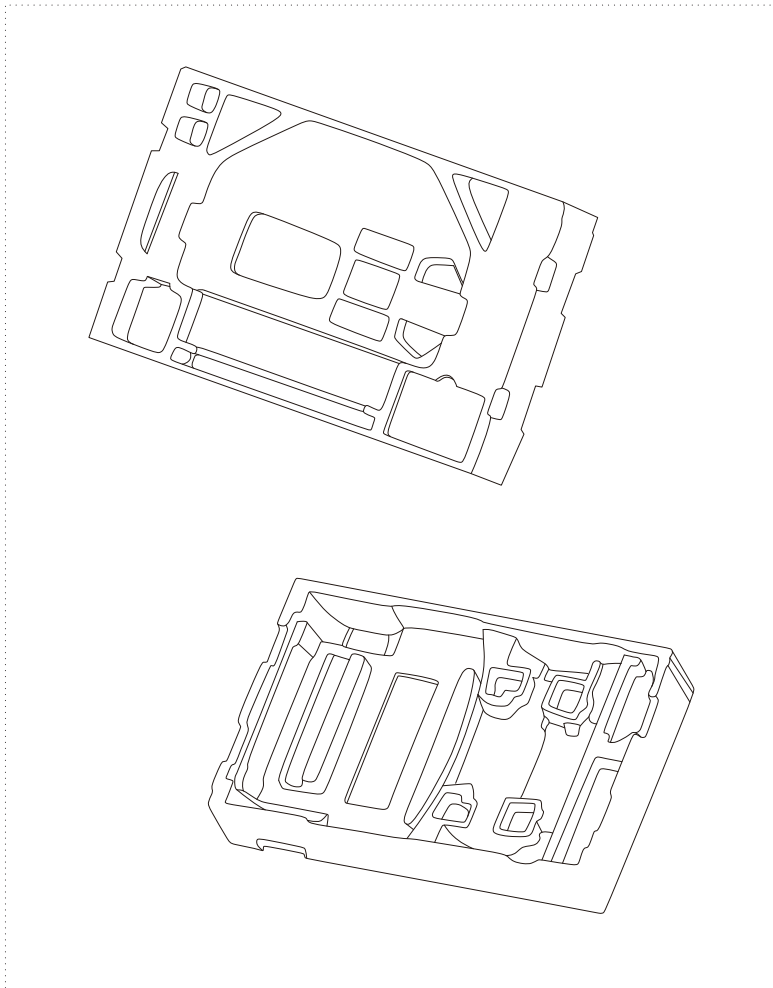
Bei gebrochenem
Garantiesiegel erlischt die
Garantie

2

进水检测

Water detection
Détection d'eau
Wassererkennung

3

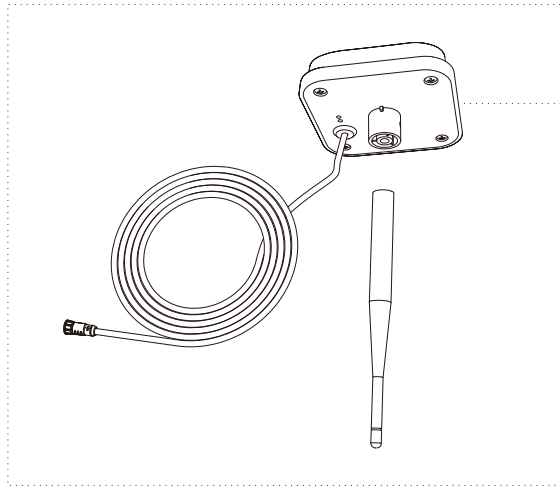


4

Packing

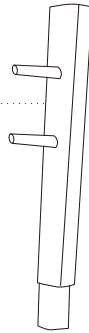
No.	PN	Description	Quantity	Notes
①	AB.12.06.00.0138	Labeled Packing Kit X430N	1	X430NA
	AB.12.06.00.0142	Labeled Packing Kit X450N	1	X450NA
②	AB.12.02.00.0175	Indication Label, Water Ingress	10	
③	AB.12.02.00.0177	Label, Tamper-proof	2	
④	AB.12.06.00.0254	EPP Packaging	1	

GNSS Station

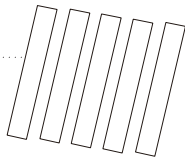


1

2



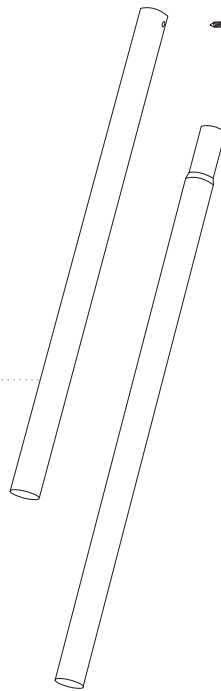
3



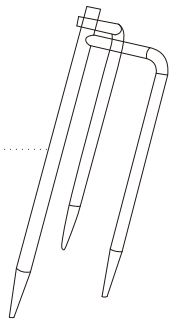
5



3



4



GNSS Staiton

No.	PN	Description	Quantity	Notes
①	AB.12.06.00.0154	GNSS Station - NA	1	
②	AB.12.03.00.0014	Pole, GNSS Antenna; Lawn Mower X Series	1	
③	AB.12.01.00.0247	Tube, Assembly	1	
④	AB.50.0017.20	Base Fork, Assembly	1	
⑤	AB.12.02.00.0176	Fastener, Philips, ST4.2x13	1	